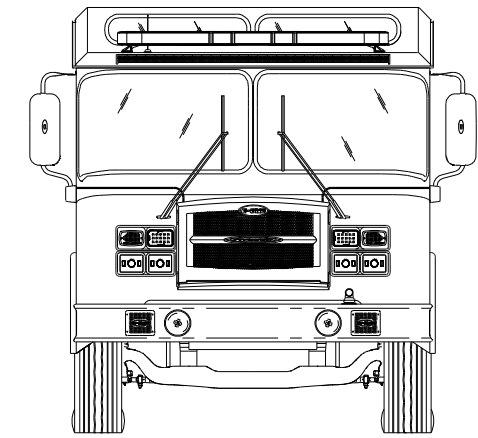
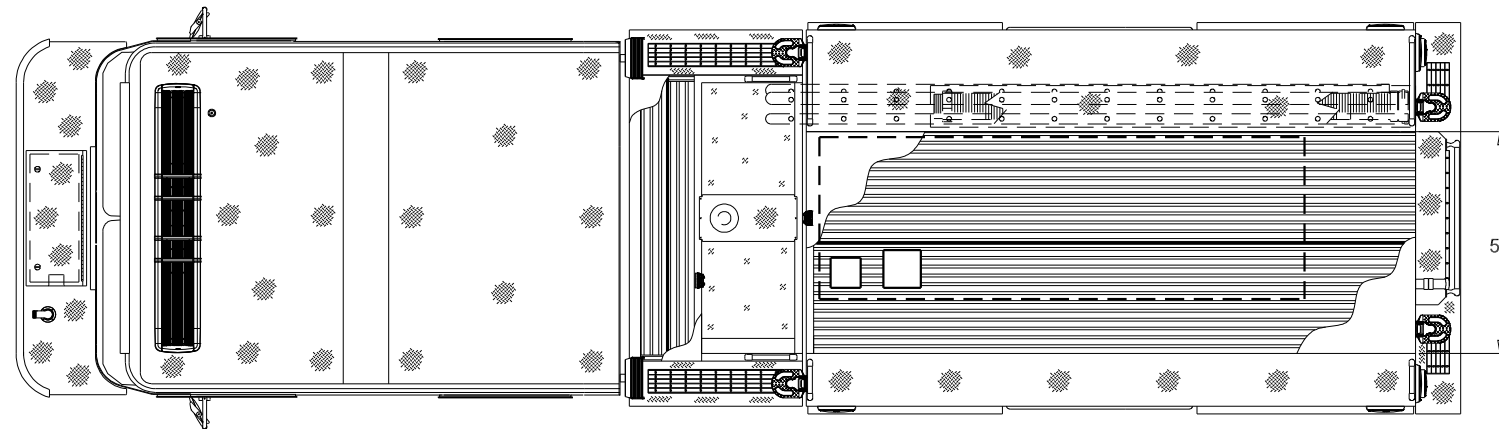


OFFICER SIDE VIEW

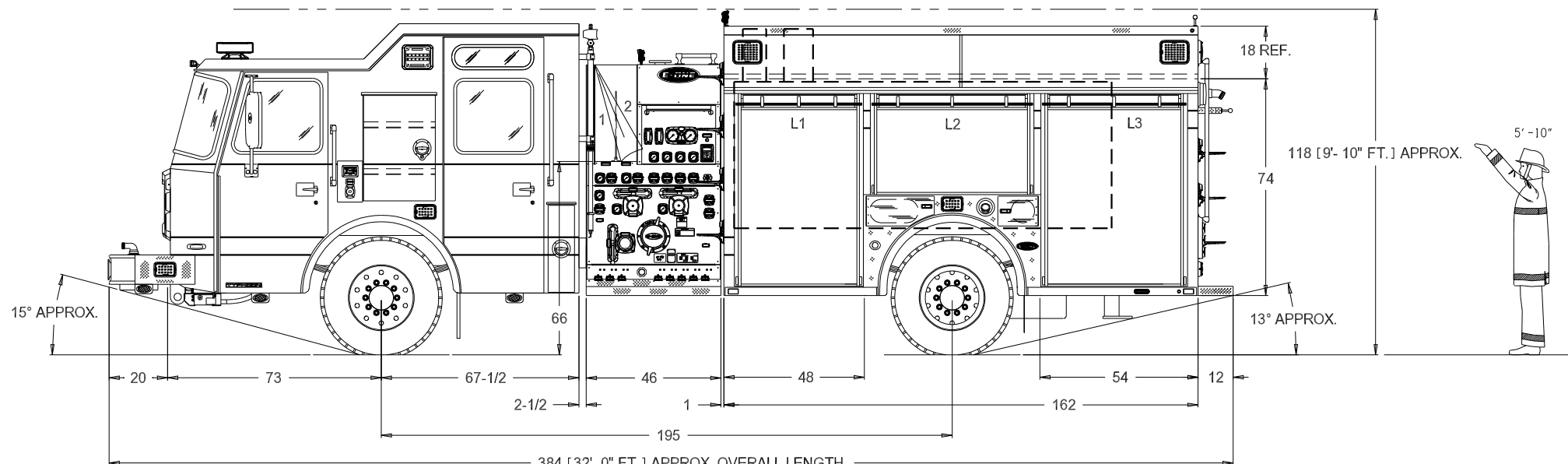


FRONT VIEW



TOP VIEW

CROSSLAY #1 = 200' OF 1-3/4" HOSE CROSSLAY #2 = 200' OF 1-3/4" HOSE

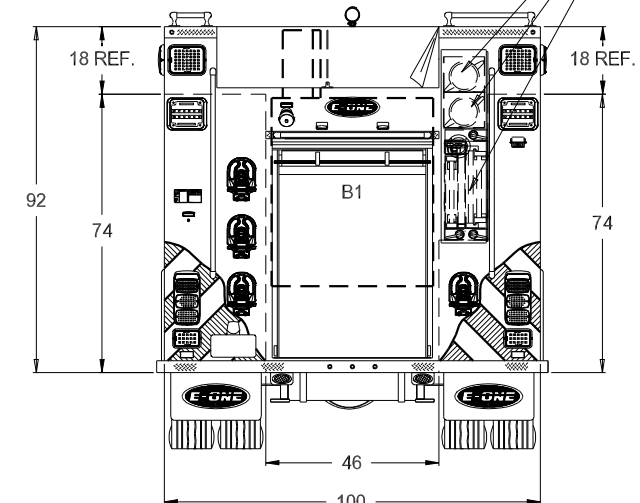


384 [32'- 0" FT.] APPROX. OVERALL LENGTH
DRIVERS SIDE VIEW

COMPARTMENT DIMENSIONS		
COMPT.	CLEAR DOOR OPENING (W x H):	COMPARTMENT INTERIOR (W x H x LD/UD):
L1	39-1/2"W x 59-1/2"H	44"W x 70"H x 27"D
L2	51-1/2"W x 28-1/4"H	60"W x 38-3/4"H x 27"D
L3	45-1/2"W x 59-1/2"H	50"W x 70"H x 27"D
R1	39-1/2"W x 59-1/2"H	44"W x 31-1/4"H x 27"D L x 44"W x 58-3/4" x 14"D U
R2	51-1/2"W x 28-1/4"H	60"W x 38-3/4"H x 14"D
R3	45-1/2"W x 59-1/2"H	50"W x 31-1/4"H x 27"D L x 50"W x 38-3/4" x 14"D U
B1	39"W x 48-3/4"H	46"W x 60"H x 26"D

LADDERS & SUCTION HOSE NOT IN QUOTE (SHOWN FOR CLARITY)

HOSE BED LAYOUT:
NFPA COMPLIANT HOSE BED CAPACITY



REAR VIEW

THIS DRAWING IS FOR REFERENCE PURPOSES. ALL DIMENSIONS ARE SUBJECT TO MINOR VARIATIONS DUE TO MANUFACTURING PROCESSES.

This print is the property of E-ONE Inc. and is loaned to you subject to return on demand, unless otherwise agreed to in writing by E-ONE Inc. Its contents are confidential and must not be copied or submitted to third parties for use or examination.

APPROVED FOR PRODUCTION

DESIGNER: R. RZESZUT DATE: 10/31/2017

REV.	REVISION NOTE / CO#:	DATE:	DRAWN BY:	Tolerance: Lin: ±.50" Ang: ±50 °	Units: Inches [mm Imports Only]
-	INITIAL DRAWING TO MATCH QUOTE REV. 4 & RFP	103117	R.R.	Dealer: E-ONE DIRECT	Water Tank Capacity: 1000 WATER/30 FOAM
				GENERATOR:	Misc:
				Misc:	Misc:



E-ONE STOCK

SO. NO. 141876 (PSRS-TYPH)
RESCUE PUMPER 1030 GALLON TANK
TYPHOON MED. 12" VISTA
FILE NAME: 141876 E-ONE STOCK