

MIAMI TOWNSHIP FIRE DEPARTMENT MIAMI TOWNSHIP OH

SO.141888 / QUOTE 86723

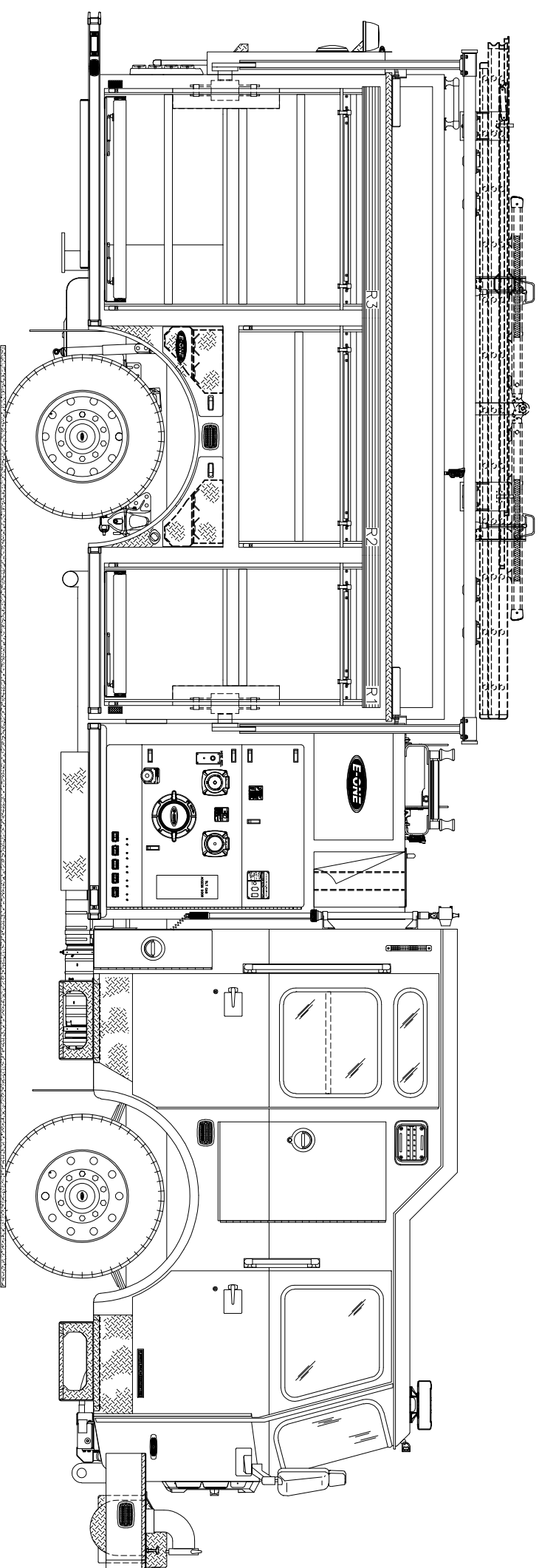
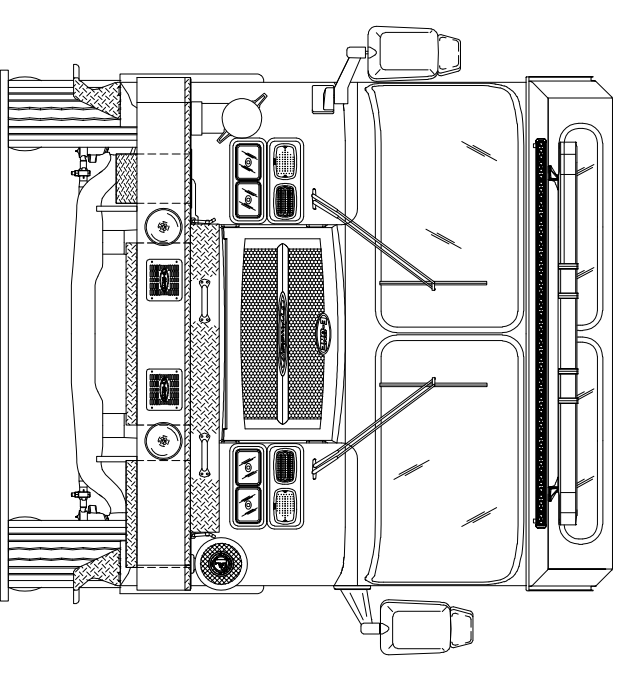
CUSTOM 42 PUMPER

E-ONE TYPHOON X LONG CAB 4X2 CHASSIS

THIS DRAWING IS FOR REFERENCE PURPOSES. ALL DIMENSIONS ARE
SUBJECT TO MINOR VARIATIONS DUE TO MANUFACTURING PROCESSES.

APPROVED FOR PRODUCTION

DESIGNER: J.DRAY DATE: 2018-JAN-09



| DATE | BY | REVISION |
|-------------|-------|----------|
| 2018-JAN-09 | JDRAY | ISSUED |
| 2017-DEC-14 | JDRAY | APPROVED |
| 2017-NOV-03 | JDRAY | DESIGN |
| 2017-OCT-14 | JDRAY | DESIGN |
| 2017-SEP-14 | JDRAY | DESIGN |
| 2017-AUG-14 | JDRAY | DESIGN |
| 2017-JUL-14 | JDRAY | DESIGN |
| 2017-JUN-14 | JDRAY | DESIGN |
| 2017-MAY-14 | JDRAY | DESIGN |
| 2017-APR-14 | JDRAY | DESIGN |
| 2017-MAR-14 | JDRAY | DESIGN |
| 2017-FEB-14 | JDRAY | DESIGN |
| 2017-JAN-14 | JDRAY | DESIGN |