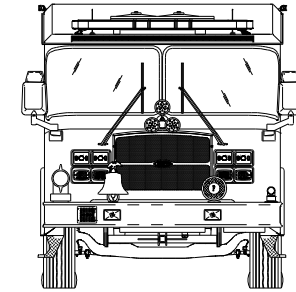
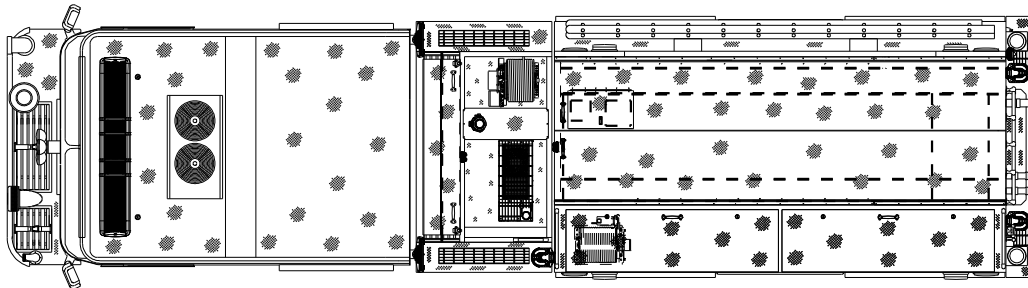


OFFICER SIDE VIEW



FRONT VIEW

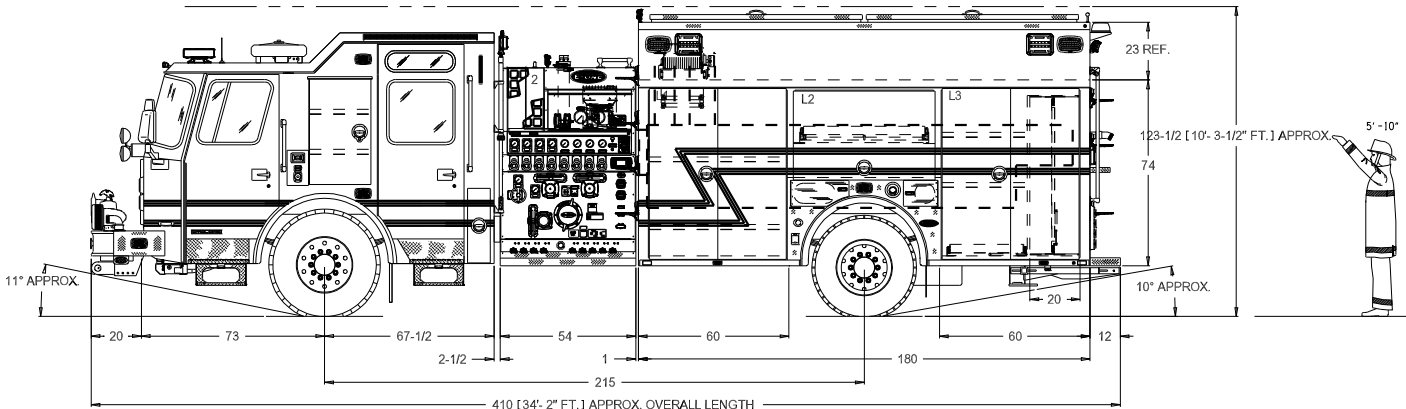


TOP VIEW

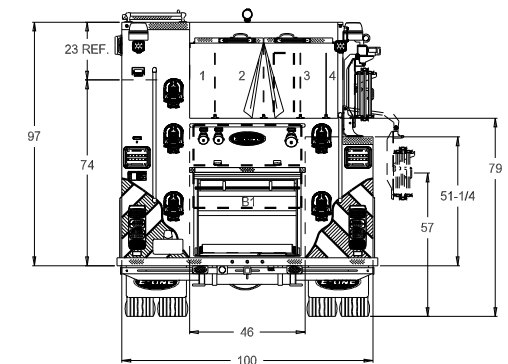
CROSSLAY #1 = 200' OF 2-1/2" HOSE    CROSSLAY #2 = 200' OF 2-1/2" HOSE

COMPARTMENT DIMENSIONS		
COMP.	CLEAR DOOR OPENING (W x H)	COMPARTMENT INTERIOR (W x H x LD/UD)
L1	51-1/2"W x 63-1/2"H	56"W x 70"H x 27"D
L2	53"W x 32-1/4"H	60"W x 38-3/4"H x 27"D
L3	51-1/2"W x 63-1/2"H	56"W x 70"H x 27"D
R1	51-1/2"W x 41"H	56"W x 47"H x 27"D
R2	53"W x 10-1/4"H	60"W x 16"H x 27"D
R3	51-1/2"W x 41"H	56"W x 47"H x 27"D
B1	39"W x 23-3/4"H	46"W x 35"H x 26"D

HOSE BED LAYOUT:  
 BED 1 = 400' OF 2-1/2" HOSE  
 BED 2 = 1500' OF 5" HOSE  
 BED 3 = 800' OF 2-1/2" HOSE  
 BED 4 = 300' OF 1-3/4" HOSE



DRIVERS SIDE VIEW



REAR VIEW


THIS DRAWING IS FOR REFERENCE PURPOSES. ALL DIMENSIONS ARE SUBJECT TO MINOR VARIATIONS DUE TO MANUFACTURING PROCESSES.

This print is the property of E-ONE Inc. and is loaned to you subject to return on demand, unless otherwise agreed to in writing by E-ONE Inc. Its contents are confidential and must not be copied or submitted to third parties for use or examination.

DEALER APPROVAL \_\_\_\_\_ DATE \_\_\_\_\_  AS IS  
 CUSTOMER APPROVAL \_\_\_\_\_ DATE \_\_\_\_\_  WITH REVISIONS

REV.	REVISION NOTE / CO#	DATE	DRAWN BY
-	INITIAL DRAWING TO MATCH QUOTE REV. 32	031717	R.S.
A	REVISED TO MATCH QUOTE REV. 45	061917	R.H.
B	TURNED INTO JOB ORDER (REF Q83361) & ORDER SCRUB	111717	R.R.
C	DRAWING EDITS PER DEALER REQUEST	121517	R.H.

Tolerance:	Lin: <b>±50"</b> Ang: <b>±50°</b>
Dealer:	VOGELPOHL
GENERATOR:	SMART POWER 6KW
Misc:	-

  
**LOCKLAND FIRE DEPARTMENT**  
 SO. NO. 141887 (PSRS-CYC2)  
 RESCUE PUMPER 780 GALLON TANK  
 CYCLONE II LONG 12" VISTA  
 FILE NAME: 141887 LOCKLAND FIRE DEPARTMENT