

LEXINGTON FAYETTE URBAN CO GOVT.

LEXINGTON, KY

SO.142277-78 / *QUOTE* 89979

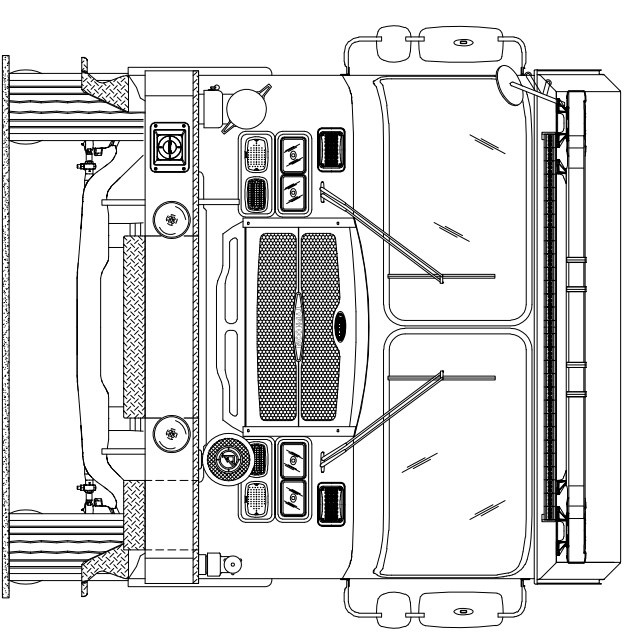
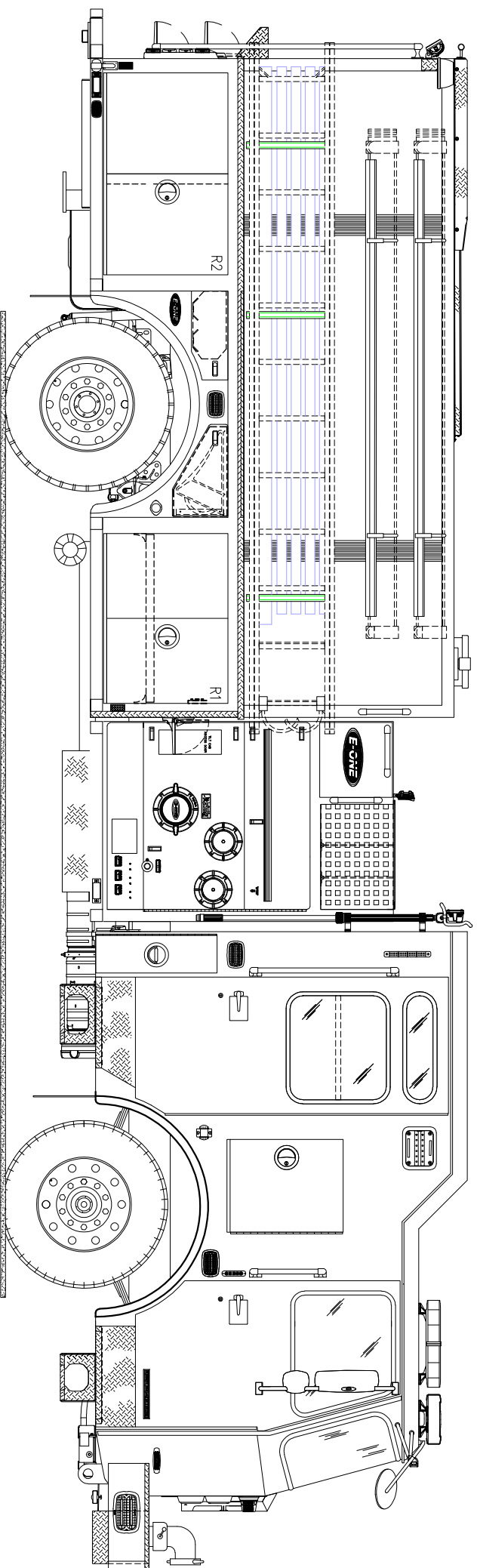
CUSTOM 42 PUMPER

E-ONE TYPHOON X LONG CAB 4X2 CHASSIS

THIS DRAWING IS FOR REFERENCE PURPOSES. ALL DIMENSIONS ARE SUBJECT TO MINOR VARIATIONS DUE TO MANUFACTURING PROCESSES.

APPROVED FOR PRODUCTION

DESIGNER: JDRAY DATE: 2018-JUL-17



QUALIFIER	0	ACTION	TIME	DATE	BY
QUALIFIER	C	REV	2018-AUG-21	JDRAY	
QUALIFIER	A	INITIAL RELEASE DESCRIPTION	2018-MAY-01	JDRAY	
DRAWN BY	REV	APPROVAL	REVISIONS	DATE	APPROVED
SHEET 2 OF 2					