

# LEXINGTON FAYETTE URBAN CO GOVT

## LEXINGTON, KY.

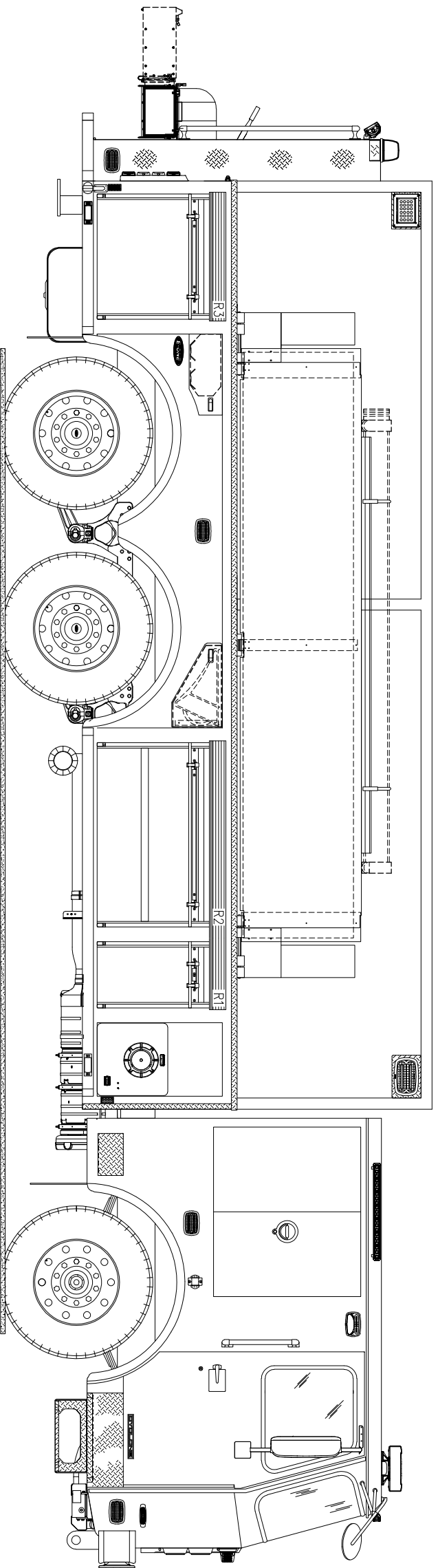
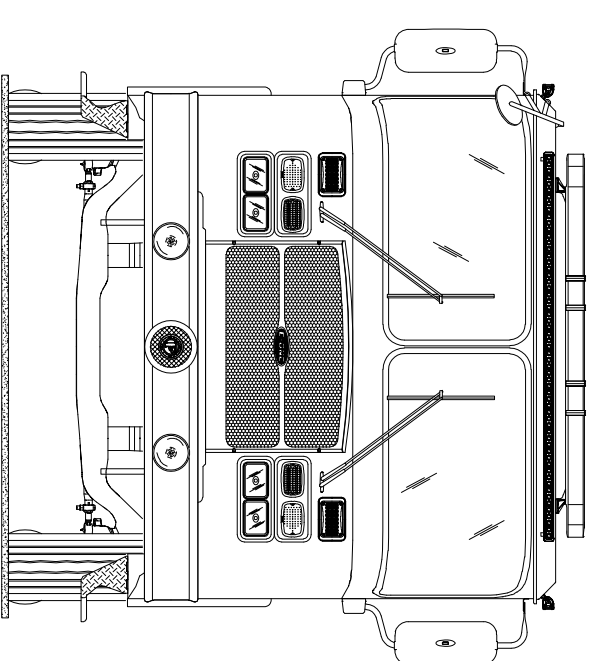
SO.142024 / QUOTE 78448  
 CUSTOM 42 TANDEM TANKER  
 E-ONE CYCLONE II X SHORT CAB 6X4 CHASSIS

THIS DRAWING IS FOR REFERENCE PURPOSES. ALL DIMENSIONS ARE  
 SUBJECT TO MINOR VARIATIONS DUE TO MANUFACTURING PROCESSES.

**APPROVED FOR PRODUCTION**

DESIGNER: JDRAY

DATE: 2018-MAR-16



| NO. | DATE        | DESCRIPTION     | BY    |
|-----|-------------|-----------------|-------|
| 0   | 2018-MAR-16 | INITIAL RELEASE | JDRAY |
| 1   | 2018-MAR-16 | APPROVED        | JDRAY |
| 2   | 2018-MAR-16 | APPROVED        | JDRAY |