

INDEPENDENCE FIRE DISTRICT

INDEPENDENCE, KY

S.O. 142671 / QUOTE 82921

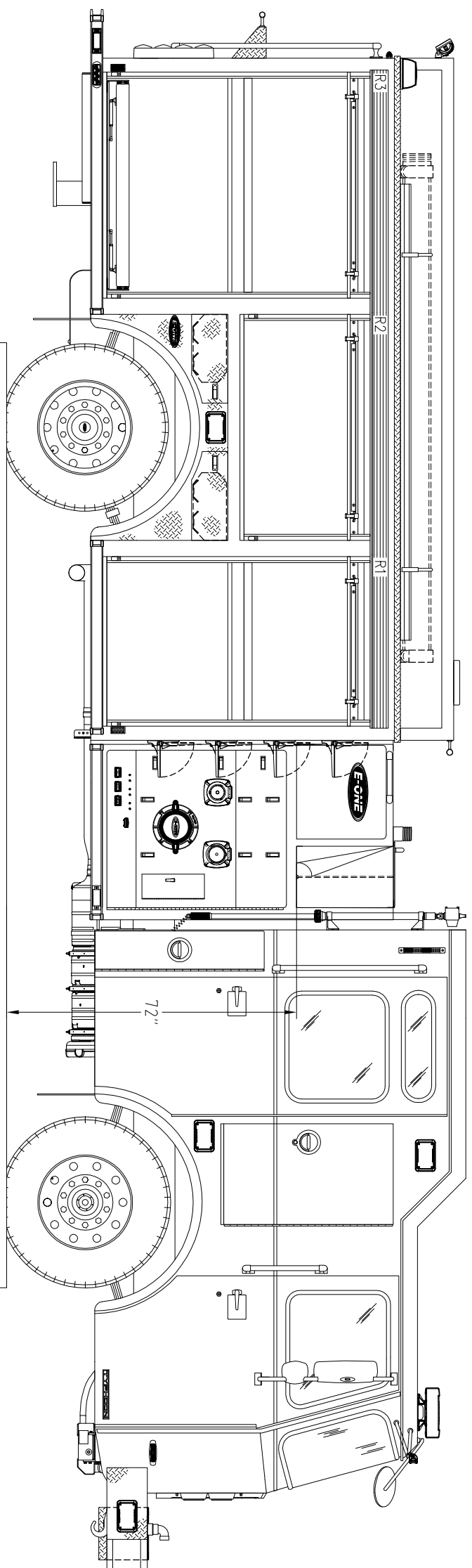
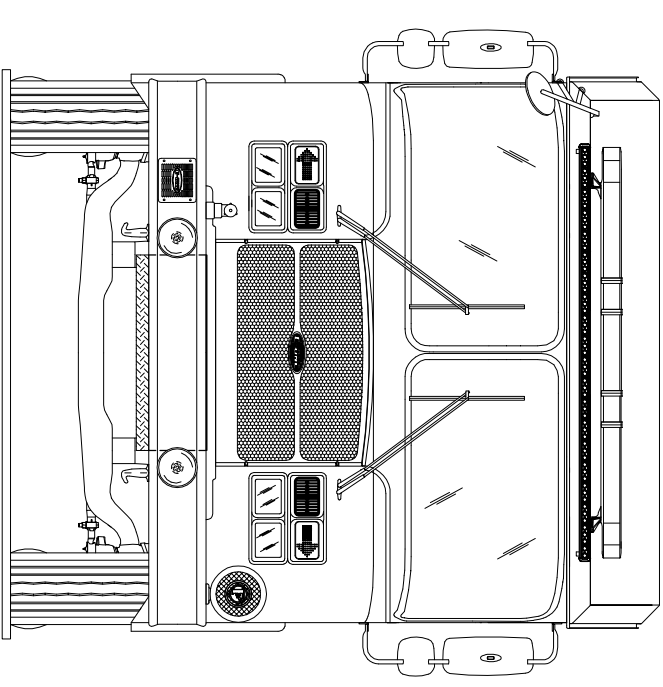
CUSTOM 42 RESCUE PUMPER

E-ONE TYPHOON X LONG CAB 4X2 CHASSIS

THIS DRAWING IS FOR REFERENCE PURPOSES. ALL DIMENSIONS ARE SUBJECT TO MINOR VARIATIONS DUE TO MANUFACTURING PROCESSES.

APPROVED FOR PRODUCTION

DESIGNER: RSTILL DATE: 2018-OCT-03



NO.	DATE	DESCRIPTION	BY	APPROVED
0	2018-10-03	INITIAL RELEASE / OPEN REVIEW		
1	2018-10-03	DESIGN		
2	2018-10-03	APPROVAL REVISIONS		