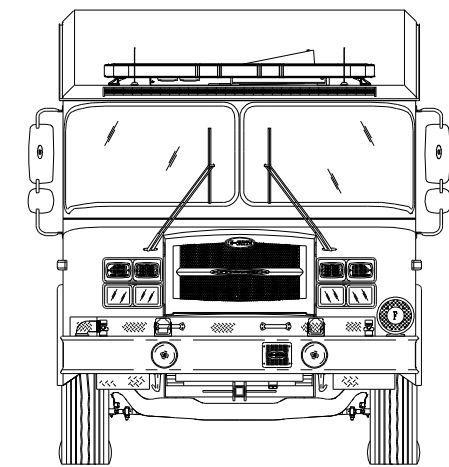
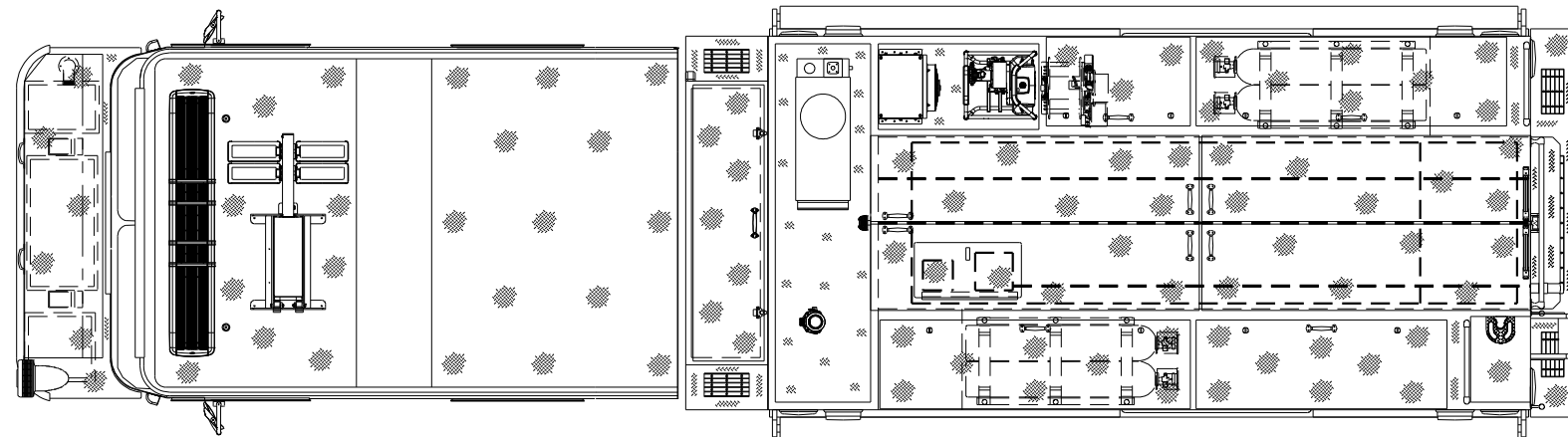


OFFICER SIDE VIEW



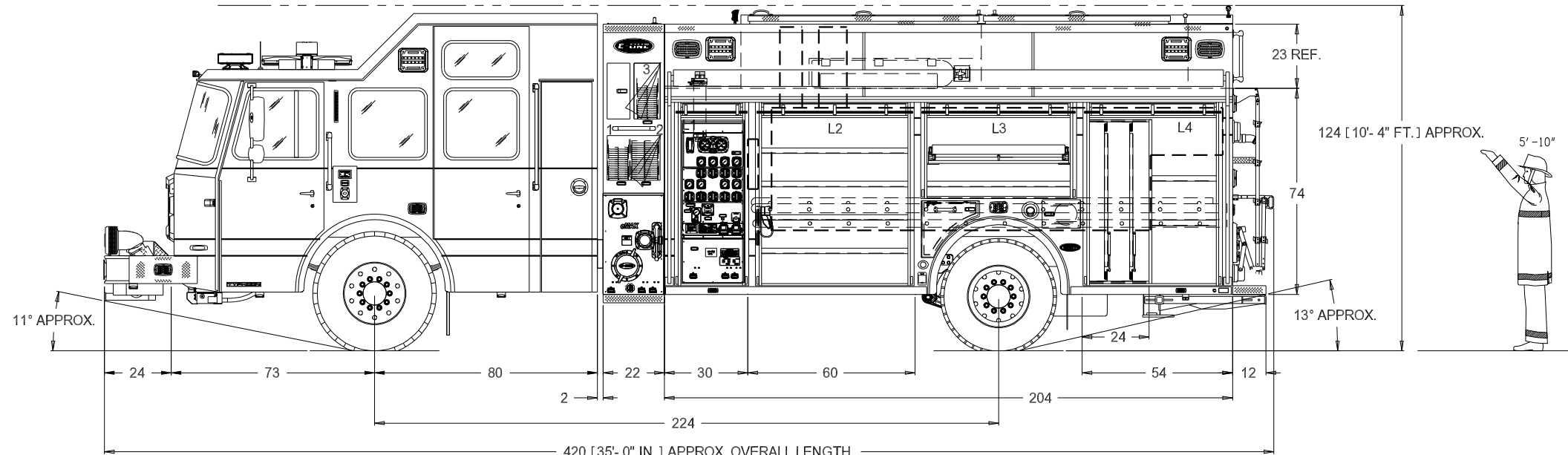
FRONT VIEW



TOP VIEW

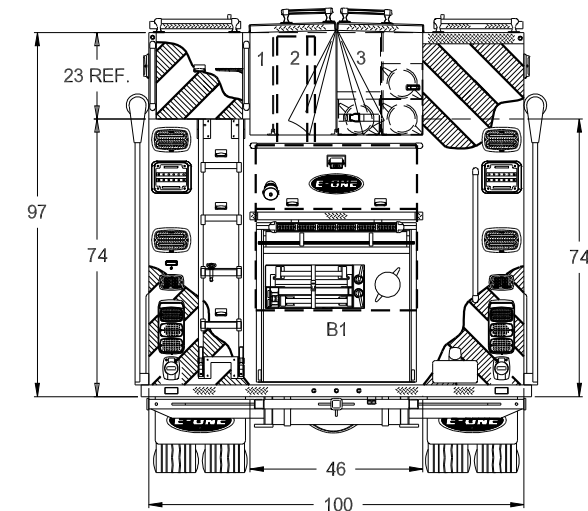
COMPARTMENT DIMENSIONS		
COMPT.	CLEAR DOOR OPENING (W x H):	COMPARTMENT INTERIOR (W x H x LD/UD):
L1	22-1/4"W x 59-1/2"H	26"W x 70"H x PUMP
L2	51-1/2"W x 59-1/2"H	60"W x 70"H x 27"D
L3	51-1/2"W x 28-1/4"H	60"W x 38-3/4"H x 27"D
L4	45-1/2"W x 59-1/2"H	50"W x 70"H x 27"D
R1	22-1/4"W x 59-1/2"H	26"W x 70"H x 27" D
R2	51-1/2"W x 59-1/2"H	60"W x 70"H x 27"D
R3	51-1/2"W x 28-1/4"H	60"W x 38-3/4"H x 27"D
R4	45-1/2"W x 59-1/2"H	50"W x 70"H x 27"D
B1	39"W x 34-1/4"H	46"W x 45"H x 26"D

SPEEDLAY #1 = 200' OF 1-3/4" HOSE SPEEDLAY #2 = 200' OF 2-1/2" HOSE SPEEDLAY #3 = 200' OF 1-3/4" HOSE



DRIVERS SIDE VIEW

HOSE BED LAYOUT:
 BED 1 = 200' OF 3" HOSE
 BED 2 = 600' OF 5" HOSE
 BED 3 = 250' OF 2-1/2" HOSE



REAR VIEW

THIS DRAWING IS FOR REFERENCE PURPOSES. ALL DIMENSIONS ARE SUBJECT TO MINOR VARIATIONS DUE TO MANUFACTURING PROCESSES.

This print is the property of E-ONE Inc. and is loaned to you subject to return on demand, unless otherwise agreed to in writing by E-ONE Inc. Its contents are confidential and must not be copied or submitted to third parties for use or examination.

DEALER APPROVAL _____ DATE _____ AS IS
 CUSTOMER APPROVAL _____ DATE _____ WITH REVISIONS

REV.	REVISION NOTE / CO#.	DATE:	DRAWN BY:	Tolerance: Lin: ±.50" Ang: ±50 °	Units: Inches [mm Imports Only]
-	INITIAL DRAWING TO MATCH QUOTE REV. 54	080217	R.S.	Dealer: VOGELPOHL	Water Tank Capacity: 1030 GALLON TANK
A	TURNED INTO JOB ORDER (REF Q86204) & ORDER SCRUB	112717	R.R.	GENERATOR: HARRISON 10KW MCR	750 WATER / 30 FOAM (NET)
				Misc:	Misc:



FORT LORAMIE COMMUNITY FIRE CO.
 SO. NO. 141899 (PSEM-TYPH)
 RESCUE PUMPER E-MAX 1030 GALLON TANK (780 NET)
 TYPHOON EXTENDED 20" VISTA
 FILE NAME: 141899 FORT LORAMIE COMMUNITY FIRE CO.