

ERLANGER FIRE DEPARTMENT

ERLANGER, KY

SO.142094-95 / QUOTE 87521

CUSTOM 42 RESCUE PUMPER

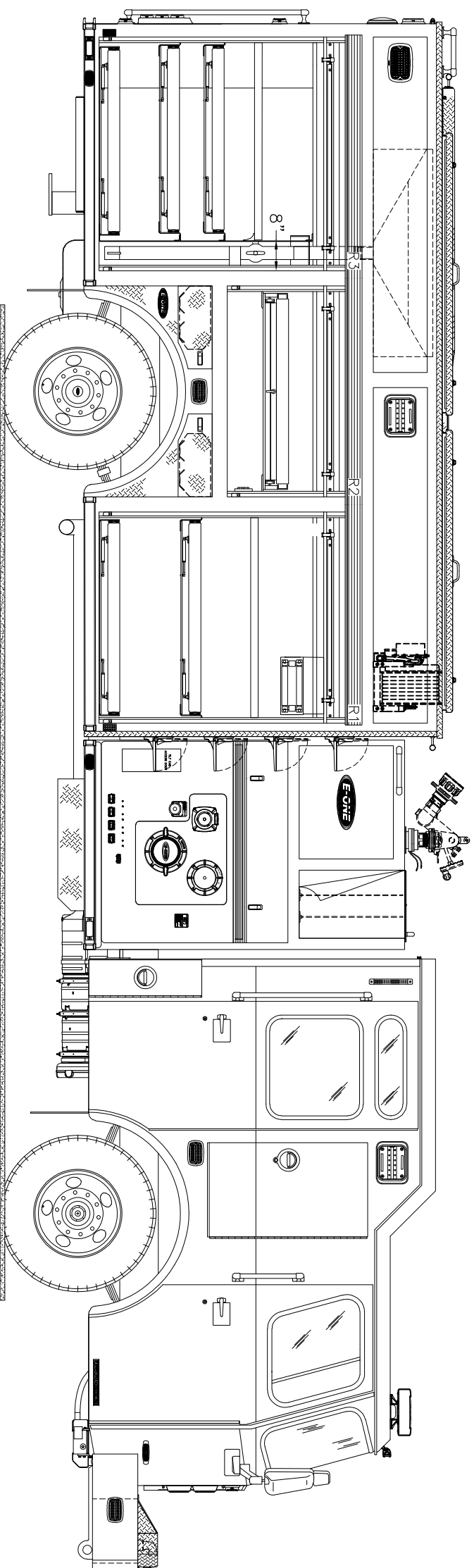
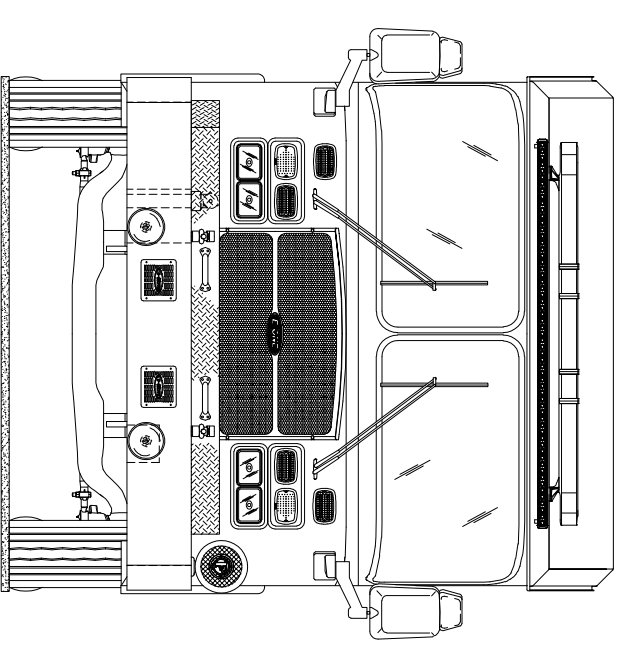
E-ONE TYPHOON X LONG CAB 4X2 CHASSIS

THIS DRAWING IS FOR REFERENCE PURPOSES. ALL DIMENSIONS ARE SUBJECT TO MINOR VARIATIONS DUE TO MANUFACTURING PROCESSES.

APPROVED FOR PRODUCTION

DESIGNER: J.DRAY

DATE: 2018-MAR-08



REV	DESCRIPTION	DATE	BY
F	CUSTOMER CHANGES	2018-MAR-02	JDRAY
E	REV	2018-MAR-02	JDRAY
D	REVISED PUMP PANELS	2018-MAR-07	JDRAY
C	REV	2018-MAR-09	JDRAY
B	REV	2018-MAR-23	JDRAY
A	ISSUE	2018-MAR-23	JDRAY
0	ISSUE	2018-MAR-23	JDRAY

APPROVAL REVISIONS

SHEET 2 OF 2