

# CITY OF CINCINNATI CINCINNATI, OH

S.O. 141968-969/QUOTE 65260  
AERM AERIAL BODY  
CYCLONE II X CHASSIS  
LTH100 LADDER

THIS DRAWING IS FOR REFERENCE PURPOSES. ALL DIMENSIONS ARE  
SUBJECT TO MINOR VARIATIONS DUE TO MANUFACTURING PROCESSES.

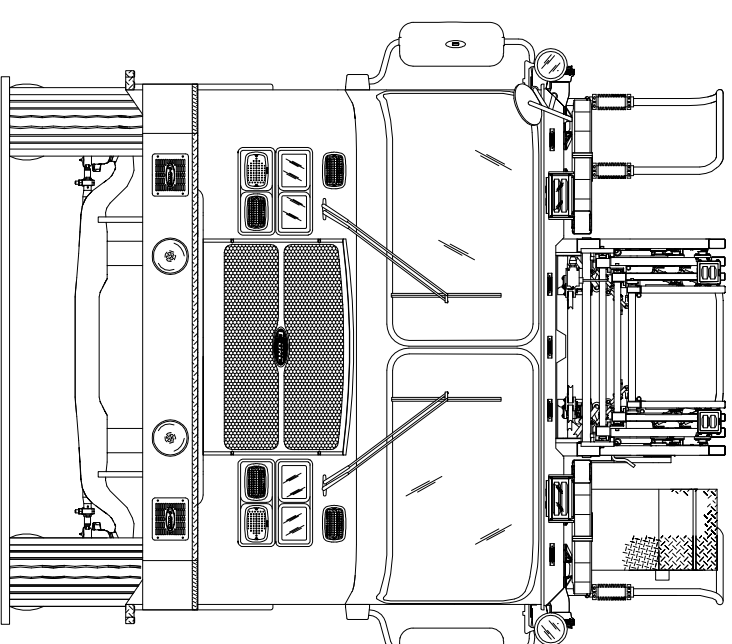
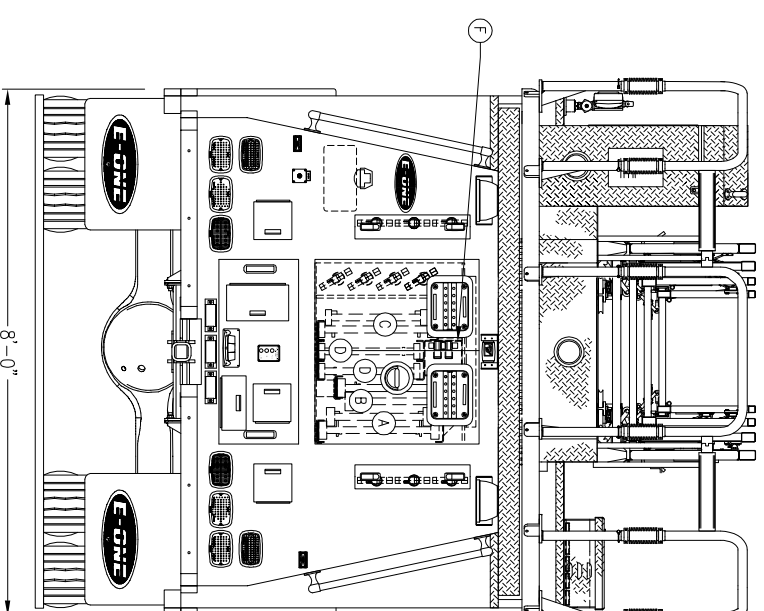
**APPROVED FOR PRODUCTION**

DESIGNER: BRIAN MASON DATE: 2018-MAR-13

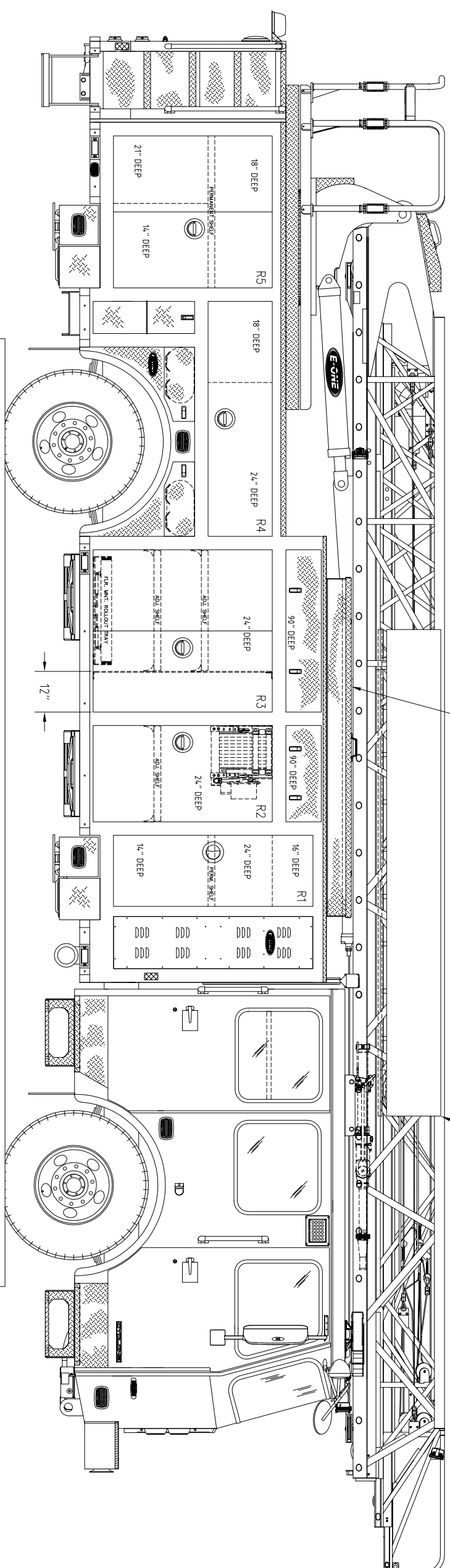
COMP.T.	OPENING	INTERIOR DIMENSION
L1	39W	47H
R1	21W	59H
L2/R2	28W	53H
L3/R3	48W	53H
L4/R4	69W	19H
L5/R5	45W	47H

ITEM	LADDER LENGTH	MODEL NUMBER	QTY
A	35' 2-SECT.	PEL-35	1
B	28' 2-SECT.	PEL-28	1
C	24' 2-SECT.	PEL-24	1
D	16' ROOF	PRL-16	2
E	12' ROOF	PRL-12	1
F	10' FOLDING	FL-10	1



STORAGE BOX FOR  
150' OF 3" DJ HOSE  
APPROX. SIZE: 100" L x 16" W x 7" D



DATE	BY	DESCRIPTION	DATE	BY	DESCRIPTION
2018-MAR-13	B	QUOTE	2018-MAR-13	B	BRIAN MASON
2018-MAR-13	B	REP	2018-MAR-02	B	BRIAN MASON
2017-DEC-11	A	INITIAL RELEASE	2017-DEC-11	A	BRIAN MASON
	REV	DESCRIPTION			APPROVED
		APPROVAL REVISIONS			SHEET 2 OF 2