



## MSA Cairns 1010/1044 Fire Helmets


Offers the most comprehensive impact and thermal head protection system, from top to bottom.

### 1 Impact Cap


(See page 47 for impact cap replacement part numbers.)

- Fewer components make the new impact cap easier to maintain and clean, as well as upgrade with the Defender Visor
- Defender® Visor automatically installed or enabled—no additional cap or hardware needed. Just order your Defender Visor kit
- Fits head sizes 6-3/8 to 8-3/4
- Designed to accommodate a 4-pt chinstrap to help improve helmet retention. Works with 2-point chinstrap as well
- With the nape arm/speedy button mechanism, the nape strap location is adjusted in seconds—without tools!
- Easy to retrofit into your current 1010/1044 MSA Cairns Helmet

### 2 Defender Visor

- Retractable eyewear system that stows neatly, cleanly, and securely inside the helmet
- Deploys quickly, even with a gloved hand
- Features quick disconnect for fast, tool-free lens change
- Optically correct lens eliminates peripheral distortion
- Available new or as user-upgrade kit
- New impact cap comes with upgrade hardware built right in for significant time and money savings!
- Clear replacement lenses are on the  program

### 3 Soft Goods

- Simple to replace or take out to launder
- Replacement kits include mesh laundering bag and are available for various combinations of liners and ear laps
- Popular kits are on the  program
- Easy to order part numbers for extra soft goods and kits
- PBI/Kevlar or Bloodborne Pathogen materials, as well as underchin extension, also available for earlaps

### 4 Helmet Shell

- Flexes with impact to absorb energy
- Lower profile than many competitors' helmets
- Fiberglass composite can be painted and is available as the 1010 (eight colors); unpainted shells are available as the 1044 (five colors)

### 5 Suspension and Retention Systems

- Unique Shell Release System (SRS) helps ensure impact cap stays on your head if helmet shell is dislodged
- Exclusive headband interface provides easy adjustment to fit a variety of SCBAs
- Provides a deep, stable fit while allowing enough crown clearance for maximum impact protection
- Standard 6-point configuration



# MSA Cairns Traditional Helmets

## 1010 & 1044

### For Structural & Proximity Firefighting

- Most popular MSA Cairns fire helmet models
- Only difference:
  - 1010: painted high-luster finish
  - 1044: unpainted matte finish
- Certified to NFPA 1971 (Structural and Proximity)
- Certified for proximity firefighting (with bonnet, shroud and gold-coated face shield)
- Hat sizes: 6¾ to 8¾



MSA Cairns 1010  
(shown with NFPA Compliant Bourkes Lenses)



MSA Cairns 1044  
(shown with Defender Visor)

### Features & Benefits

FEATURES	BENEFITS
<b>New Impact/Thermal Cap</b>	Provides superior thermal and impact protection through an impact-resistant polymer liner covered by a high-temperature, energy-absorbing urethane foam
<b>Warranty</b>	10 years <sup>1</sup>
<b>Made in the U.S.A</b>	Yes
<b>Through-color Fiberglass Composite Shell<sup>2</sup></b> (1044–unpainted/1010–painted)	Maintains color even after taking a beating on the fireground
<b>Available Colors</b>	1044 – black, yellow, red, white, blue 1010 – black, yellow, red, white, orange, blue, pink, green
<b>Retractable Defender Visor</b> (installed or enabled)	Deploys easily when you need it, stores securely inside your helmet shell when you don't. Impact cap comes with upgrade hardware built right in!
<b>Shell Release System (SRS)</b>	Retain your impact cap, suspension system and earlaps if your helmet shell is torn away during a fall or structural collapse
<b>Crumple-Zone Front Holder<sup>3</sup></b>	Absorbs impact forces to help protect your head, neck and spine from injury
<b>Adjustable NAPE Height</b>	Three ratchet height positions easily adjusted with the nape arm/speedy button mechanism
<b>Adjustable Headband Height</b>	Ensures a perfect fit between your helmet and SCBA mask
<b>Head Size Accommodated</b>	6¾ to 8¾!
<b>Embossed Helmet Brim</b>	Oak vine pattern ties the helmet to 180+ years of MSA Cairns helmet design tradition
<b>D-Ring Helmet Hanger</b>	Fits on large hooks and resists bending
<b>Nomex Chinstrap Options</b>	Enhances safety, performance and fit through hi-viz quick-release buckles, optional postman's slide, and hook and loop stowage system. Available in 2-point or 4-point configurations
<b>ARFF Proximity System Available</b>	Yes

### Colors Colors shown are approximate.

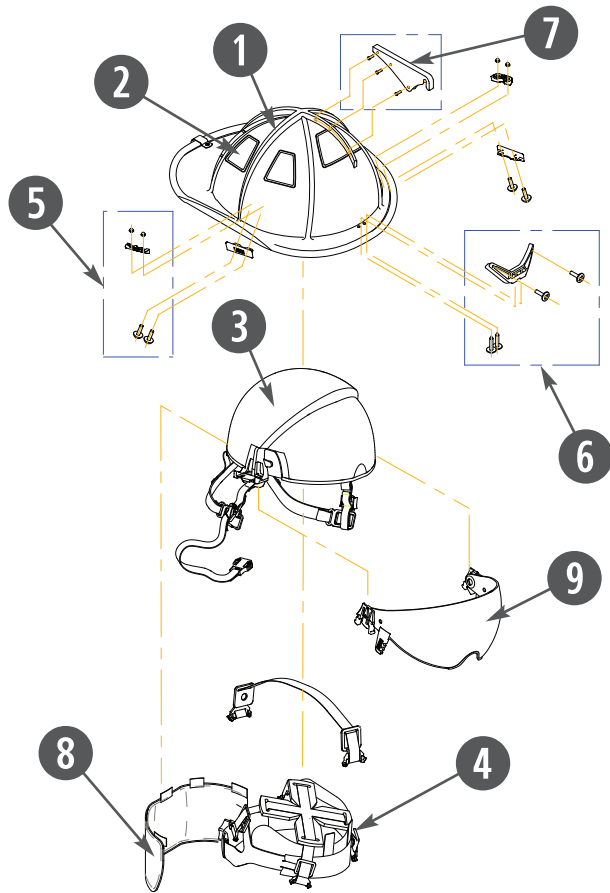
	Black	Yellow	Red	White	Orange	Blue	Pink	Green
MSA Cairns 1010	■	■	■	■	■	■	■	■
MSA Cairns 1044	■	■	■	■		■		

<sup>1</sup>Helmets manufactured before January 1, 2015 have a limited five year warranty. For details on both warranty policies, please see [www.MSAFire.com](http://www.MSAFire.com)

<sup>2</sup>Through color is present on blue, red, white and yellow. All others are painted over a white shell.

<sup>3</sup>Crumple zone front holders are designed to absorb energy from an impact.

### 1010 Defender & 1044 Defender Exploded View

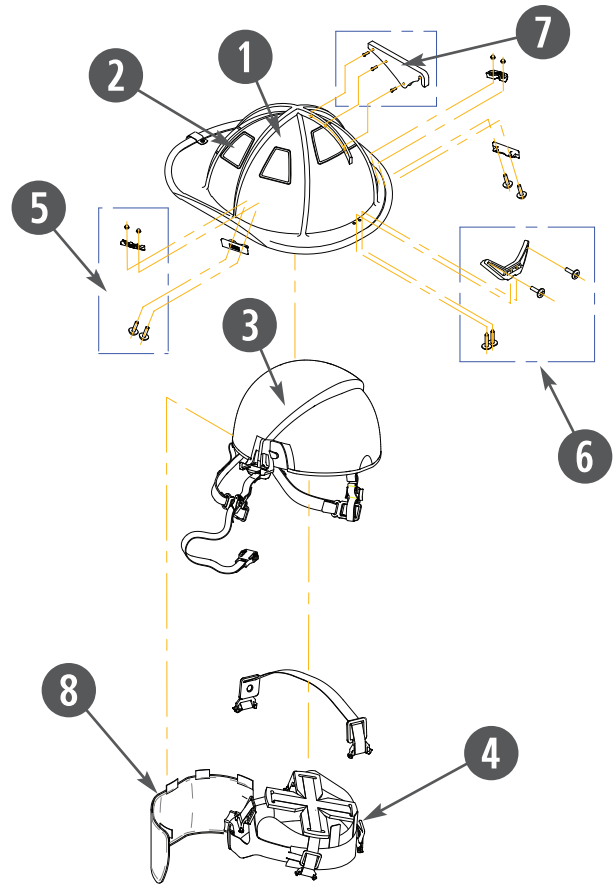


Replacement  
P/N Page

- 1 Shell —
- 2 Reflective Trim 55
- 3 Impact Cap/Chinstrap 49/49

- 4 Ratchet Headband System 52
- 5 Faceshield Hardware 50
- 6 Front Mounting Bracket 53-54

### 1010 & 1044 Exploded View



Replacement  
P/N Page

- 7 Front Holder 53
- 8 Earlap 53
- 9 Face/Eye Protection 50

Replacement  
P/N Page

Select 1010 & 1044 Helmets available on the program

We offer our most popular MSA Cairns products in our Stock-Order-Ship (SOS) program. For the products listed below, if your order is entered by 2:30 PM, the product ships the same day from our warehouse in Pittsburgh, PA. Order customized MSA Cairns Traditional Fire Helmets through Assemble-to-Order (ATO) on pages 18-19. Standard lead times apply to customer orders.

P/N	Description
<b>1010 HELMETS</b>	
1010FSB	1010 Black Fire Helmet with 4" Tuffshield, Yellow Nomex Earlap, Chinstrap with Postman's Slide and Lime Yellow Reflexite Trim
1010DSR	1010 Red Fire Helmet with Clear Defender Visor, Yellow Nomex Earlap, Chinstrap with Postman's Slide and Lime Yellow Reflexite Trim
1010DSB	1010 Black Fire Helmet with Clear Defender Visor, Yellow Nomex Earlap, Chinstrap with Postman's Slide and Lime Yellow Reflexite Trim
<b>1044 HELMETS</b>	
1044FSB	1044 Black Fire Helmet with 4" Tuffshield, Yellow Nomex Earlap, Chinstrap with Postman's Slide and Lime Yellow Reflexite Trim
1044DSR	1044 Red Fire Helmet with Clear Defender Visor, Yellow Nomex Earlap, Chinstrap with Postman's Slide and Lime Yellow Reflexite Trim
1044DSY	1044 Yellow Fire Helmet with Clear Defender Visor, Yellow Nomex Earlap, Chinstrap with Postman's Slide and Lime Yellow Reflexite Trim
1044DSB	1044 Black Fire Helmet with Clear Defender Visor, Yellow Nomex Earlap, Chinstrap with Postman's Slide and Lime Yellow Reflexite Trim
1044DSW	1044 White Fire Helmet with Clear Defender Visor, Yellow Nomex Earlap, Chinstrap with Postman's Slide and Lime Yellow Reflexite Trim